

# POWER CIRCLING CO., LTD.

## BRUSHLESS DC CENTRIFUGAL BLOWER

### Motor protections:

- \* Reverse polarity.
- \* Over current protection.
- \* Soft start protection.
- \* Locked rotor protection.
- \* Fully enclosed and waterproof.
- \* Over temperature protection.
- \* Over voltage and lower voltage protection.



### Features :

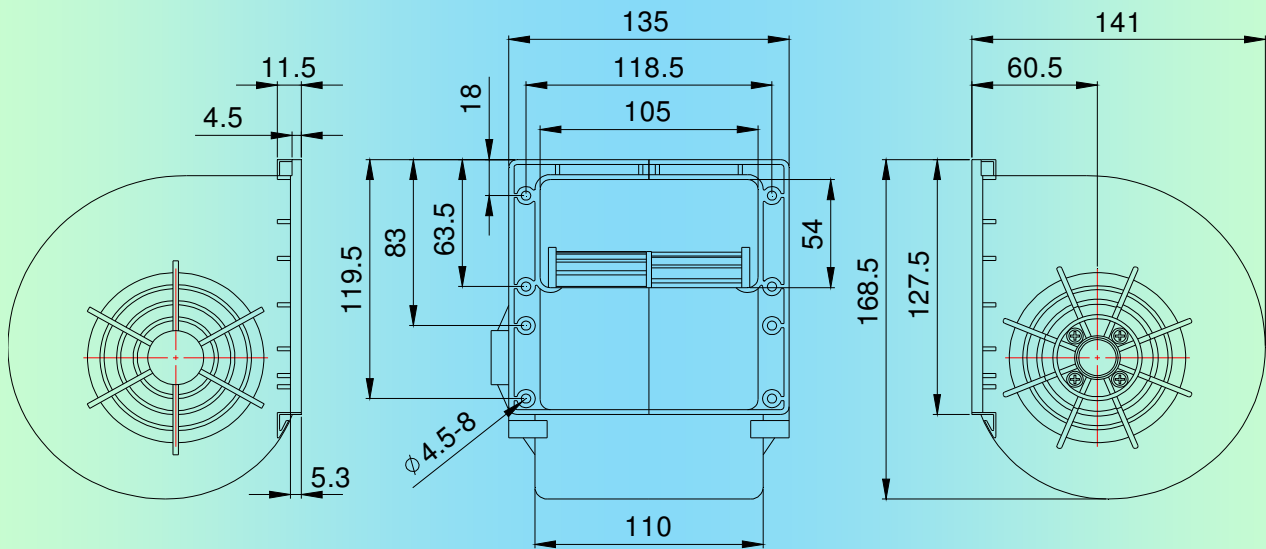
- \* Variable speed available and low noise.
- \* High efficiency and energy-saving.
- \* Long life, low temperature rise and durability.
- \* Environmentally friendly operation and free maintenance.
- \* Designed and made in Taiwan.

### Motor Comparison :

	Brush series motor	Brushless DC motor
Life	X	◎
Noise	X	◎
Power consumption	△	◎
Pollution	X	◎
Suction	△	◎
Flexible start	X	◎

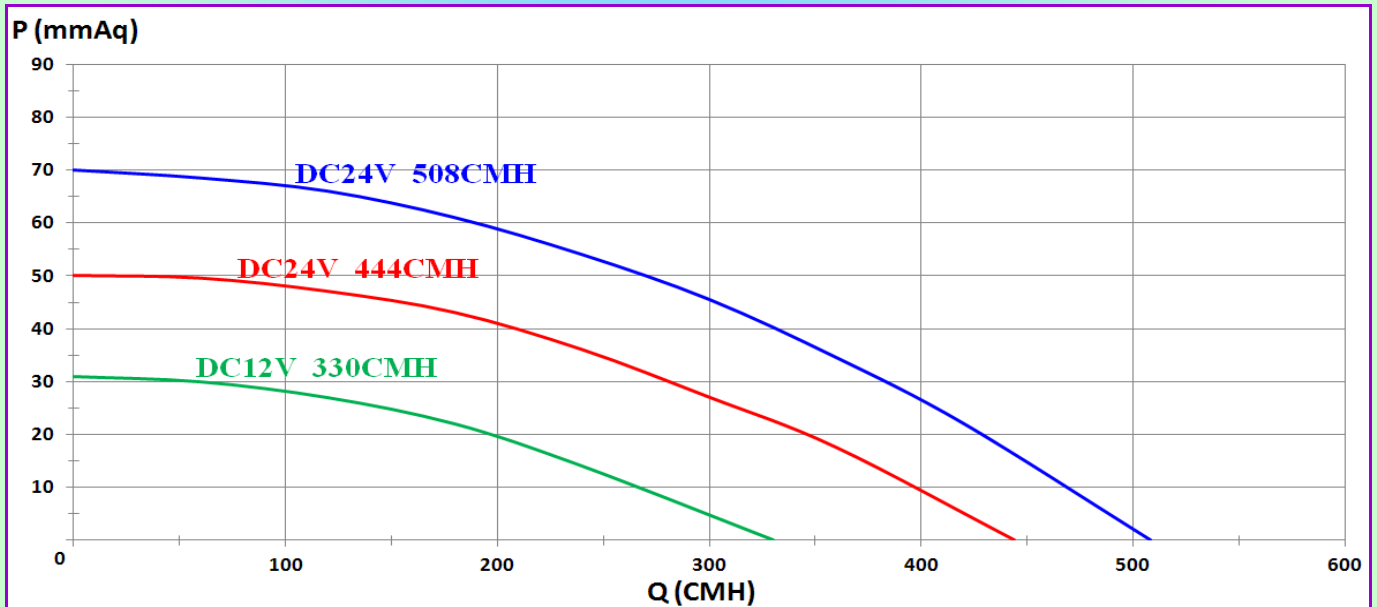
◎ Good    △ Average    X Bad

# BRUSHLESS DC CENTRIFUGAL BLOWER



## Specification

Model	Voltage (Vdc)	Voltage Range	Current (A)	Air flow (CMH)	Speed (RPM)	Noise (dBA)
B112D024-001	24	18-28V	6.9	508	3480	76
B112D024-002	24	18-28V	4.5	444	3035	72
B112D012-003	12	9-14V	7.1	330	2255	68



**POWER CIRCLING CO.,LTD 速克立股份有限公司**

Taipei office : Rm. 4B04, No.5, Hsin-Yi Rd., Sec. 5, Taipei City 11011, Taiwan

TEL : 886-2-2729-4577

FAX : 886-2-8780-4590

Taichung factory : No.991, Zhongshon Rd., Shengang Dist., Taichung City 42955, Taiwan

TEL : 886-4-2561-4924

FAX : 886-4-2561-6479

Website : [www.powercircling.com](http://www.powercircling.com)

E-mail : [pc.motor@msa.hinet.net](mailto:pc.motor@msa.hinet.net)

