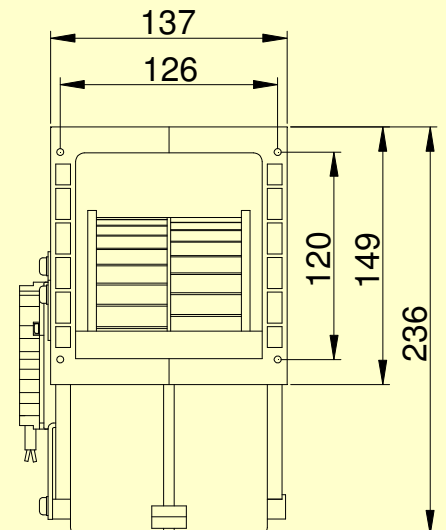
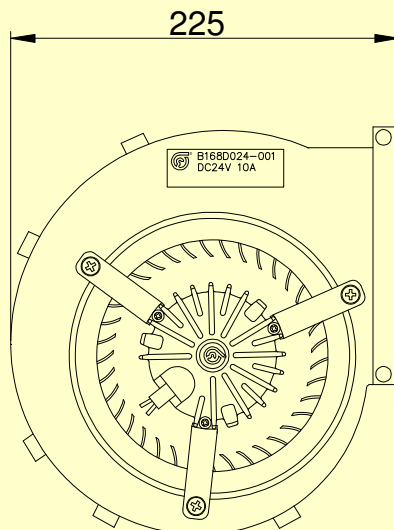


**Features :**

- ◆ Low temperature rise, durability and long life.
- ◆ Variable speed available and low noise.
- ◆ High level of efficiency and energy-saving.
- ◆ Environmentally friendly operation and free maintenance.
- ◆ Design and manufacture in Taiwan.



**Motor Comparison :**

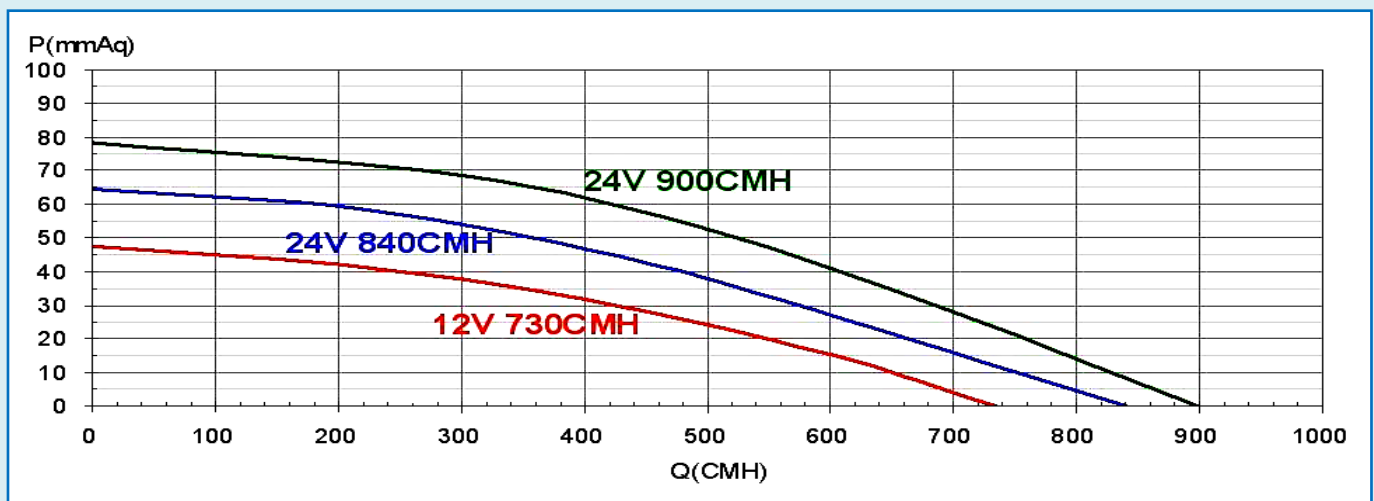
	AC	Brush	Brushless DC
Life	◎	×	◎
Noise	△	×	◎
Power Consumption	×	△	◎
Pollution	◎	×	◎
Suction	×	△	◎
Flexible start	△	×	◎
◎Good △Average ×Bad			

## Motor Protection :

- ◆ Reverse polarity.
- ◆ Soft start protection.
- ◆ Total enclosure and waterproof.
- ◆ Customize for over voltage protection, low voltage protection and over temperature protection.
- ◆ Locked-rotor protection.
- ◆ Over current protection.

## Specification :

Model	Voltage (Vdc)	Air Flow (CMH)	Speed (RPM)	Current (A)	Noise (dBA)	Voltage Range (Vdc)
B168D024-001	24	840	2680	10	73	18-28
B168D024-002	24	900	2860	13	75	18-28
B168D012-003	12	730	2340	13	71	9-14



## Application :

- ◆ Cooling system for engine, battery or driver on PHEV, HEV, BEV.
- ◆ Air-condition system for commercial vehicles.
- ◆ Cooling system for boats, ships and servo motors.